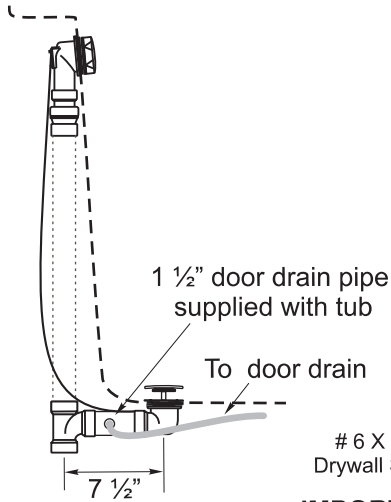
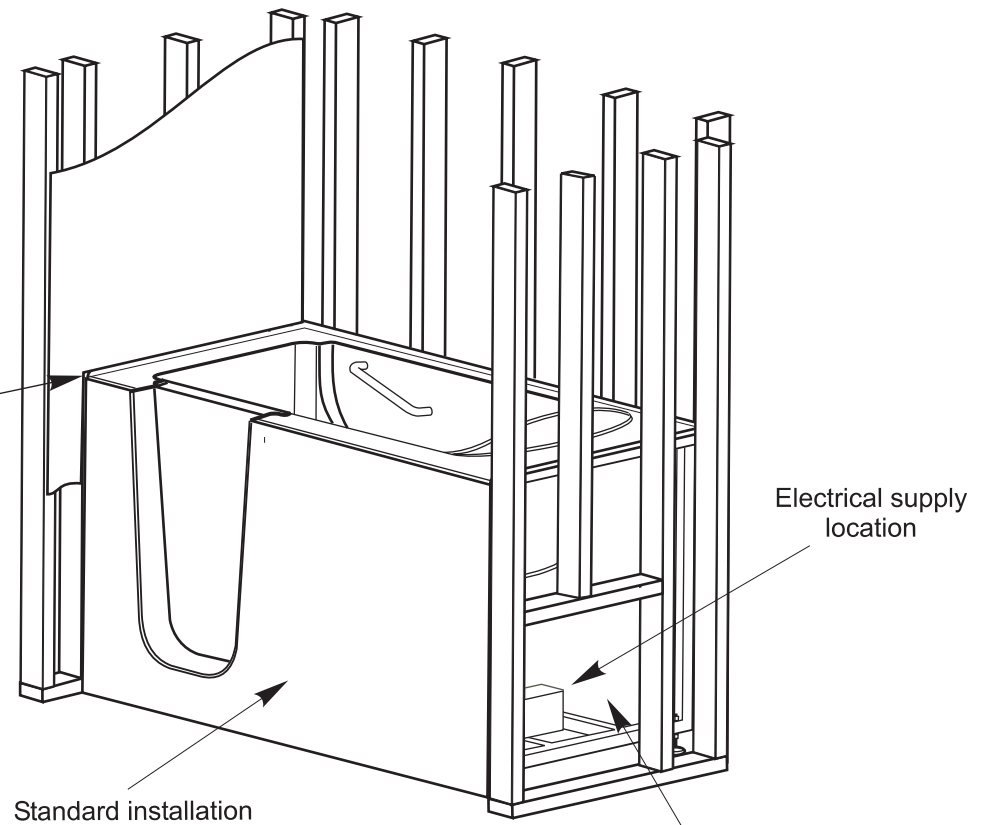
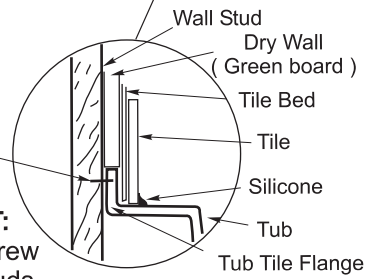


INSTALLATION DETAILS

3260



IMPORTANT:
Pre-drill and screw tub flange to studs.
Do Not force tub flange to studs, this will cause the tub door to leak.



Hydro massage systems **MUST** have a service panel of a minimum 16" x 16".

