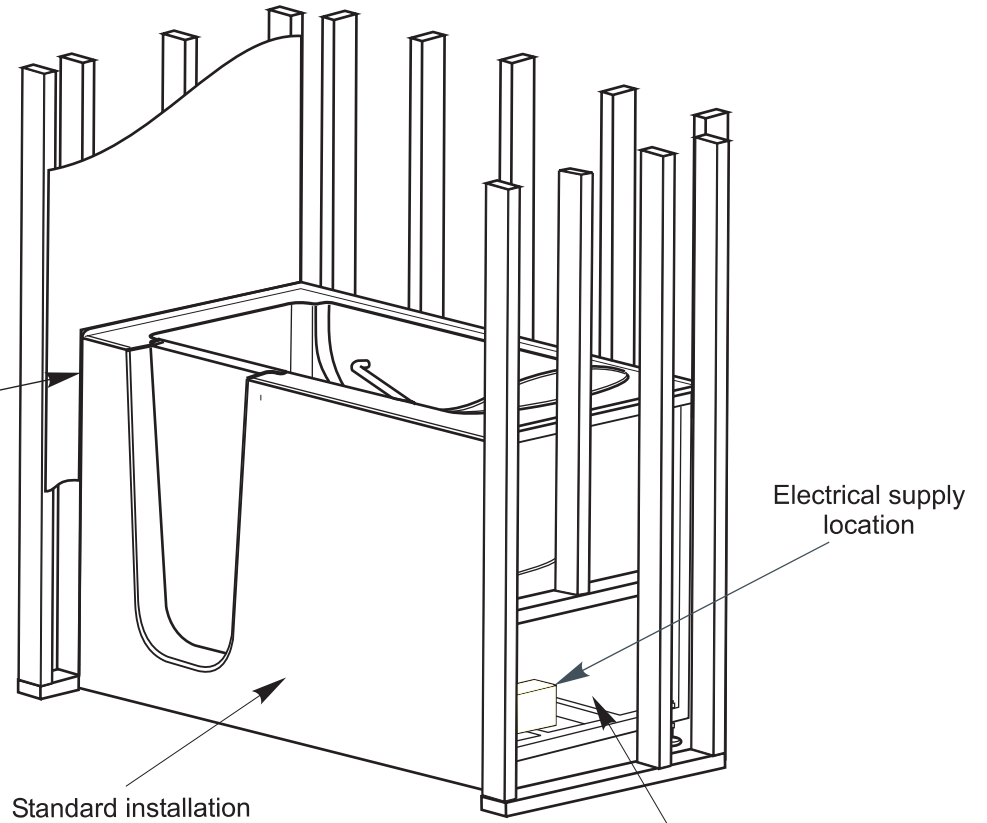
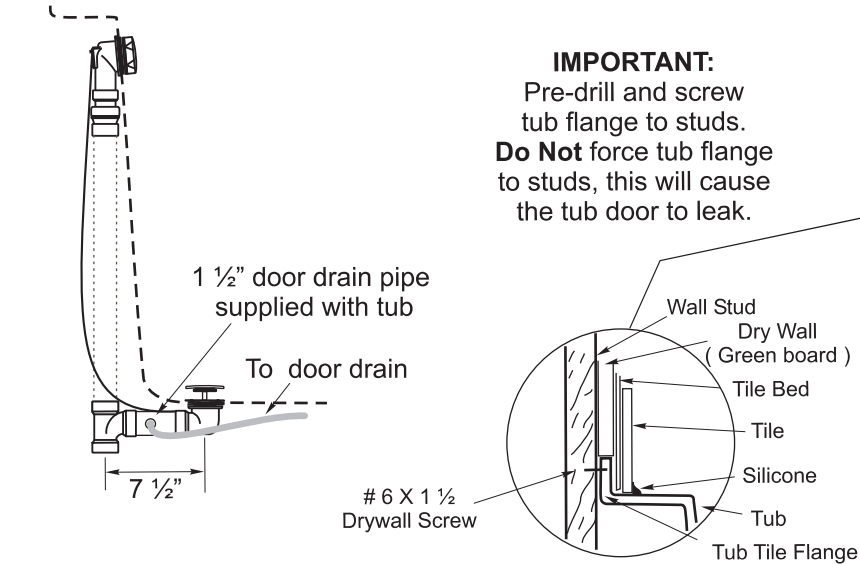


# INSTALLATION DETAILS

## 3260-D

**IMPORTANT:**  
Pre-drill and screw  
tub flange to studs.  
**Do Not** force tub flange  
to studs, this will cause  
the tub door to leak.



Hydro massage systems **MUST** have a service panel of a minimum 16" x 16".

