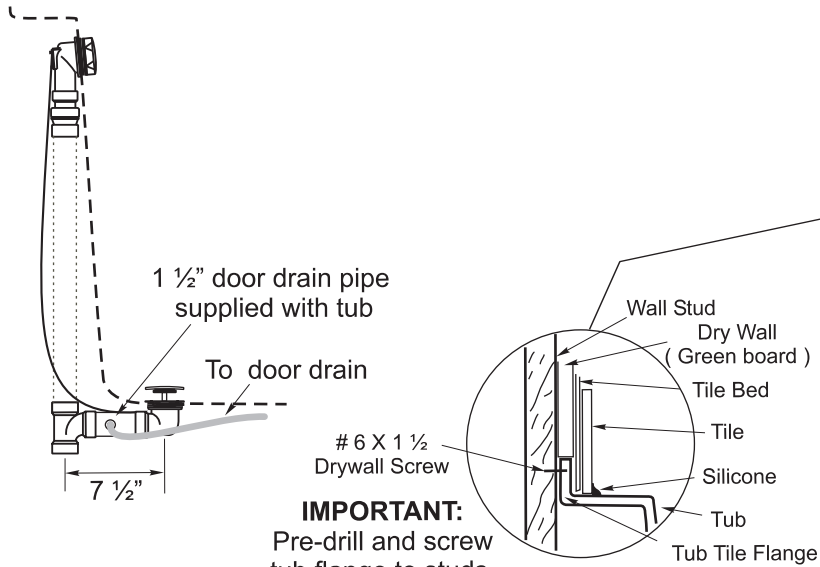


INSTALLATION DETAILS

3153



IMPORTANT:
Pre-drill and screw tub flange to studs.
Do Not force tub flange to studs, this will cause the tub door to leak.

